

need more SPACE?

TECHNICAL DATA • SHEET 2 • SPACESAVER

We are on time, right the first time, every time!



GENERAL INFORMATION

- It is a smooth fixed wooden staircase.
- It requires no head room or storage space in the loft.
- With it's small footprint it will fit in the smallest of spaces.
- The specially designed tread allows for a steep climb.
- A multitude of uses.
- Treads are attached to stringers with attractive electroplated metal brackets.
- Robust and tested to beyond 500kgs.

STAIRWELL CASING

Material: 16mm Co-pine.
To suit ceiling to finished floor above.
Thickness: 21mm.
Height: ± 230 mm.

STAIRS

Material: SA Pine (V5 or better).
Stringer: 220 x 32mm.
Treads: 220 x 32mm.
Rise of Treads: 180 - 220mm.
Width: 600mm (wider on request).
Timber Handrail: to order.

METAL (Electro Galvanised)

21mm Mild steel tubular handrail fixed to stringers with four 6mm bolts. Timber handrail to order.
Brackets: 2mm.

CEILING COVER STRIP

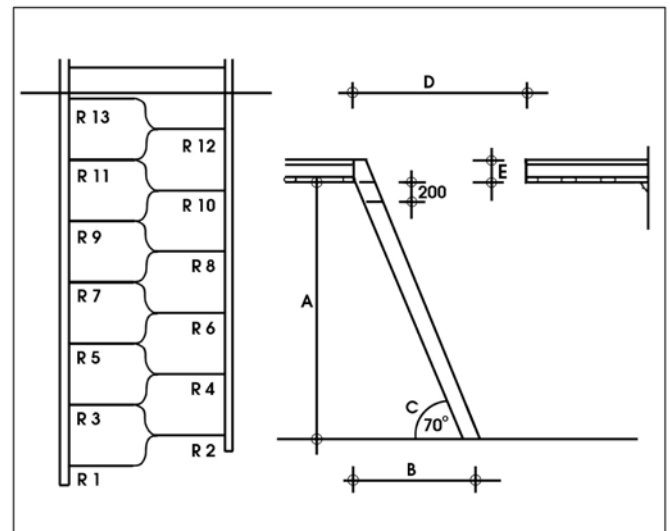
10mm x 45mm S.A. Pine.
Pine 90° corner cover strip painted white.

use your LOFT!®

(Dimensions in mm)	A	B	C	D	E
Model	Floor to ceiling height	Min footprint	Max angle of inclination	Min casing size	Casing height
Spacesaver SM	max 2900	1000	70°	0.680 x 0.850	230
Spacesaver LG	max 4500	1450	70°	0.680 x 0.850	230

Specialists in the supply and installation of loft access:

- Folding Ladders
- Staircases
- Loft and Mezzanine Floors
- Roof Windows and Skylights



DISTRIBUTOR

Contact us **0860 58 92 45**
info@loftladders.co.za www.loftladders.co.za