

need more SPACE?

TECHNICAL DATA • SHEET 1 • FOLDING LADDER

We are on time, right the first time, every time!



GENERAL INFORMATION

- It is a smooth wooden 3 part ladder.
- It requires no head room or storage space in the loft.
- Safety first - non slip treads, with hex screw bolted, housed and glued assembly.
- Melamine trapdoor in white (with high impact edging) or clad (to order) to match.
- Easy safe action - with specially developed spring and hinge system which ensures supreme balance and smooth operation.
- Need not be placed in existing trap location.
- Robust and tested to beyond 300kg.

CASING

Material: Blockboard/shutterboard.
Thickness: 21mm.
Height: 230mm.

TRAPDOOR

Material: White nova board.
Thickness: 16mm.

STAIRS

Material: SA pine (V5 or better).
Width: 400mm.
Tread thickness: 22mm.
Depth of tread: 84mm.
Distance between treads: 250mm.

use your LOFT!®

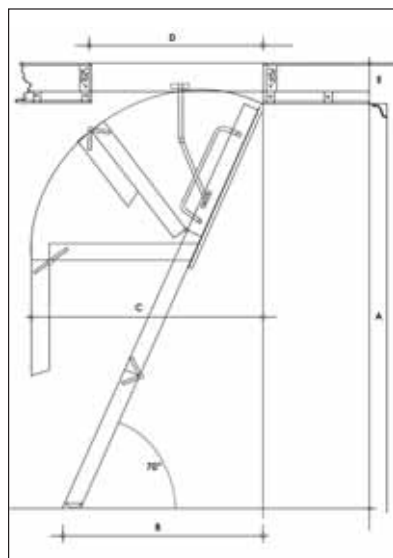
(Dimensions in mm)	A	B	C	D	E	
Model	Floor to ceiling height	Max footprint	Swing clearance	Casing size (outside)	Casing height	Number of treads
Foldaway STD	max 2800	1230	1700	685 x 1200	230	11
Foldaway LG	max 3600	1520	2000	685 x 1380	230	14

Specialists in the supply and installation of loft access:

- Folding Ladders
- Staircases
- Loft and Mezzanine Floors
- Roof Windows and Skylights



0860 58 92 45
info@loftladders.co.za
www.loftladders.co.za



METAL (electro galvanised)
Hinges, brackets and springs: 4mm.

FEET
White rubber buffer strip.

CEILING COVER STRIP
Pine painted white PVA.

OPERATING POLE
Aluminium: 19mm diameter - 1.6mm wall.
750mm - 1500mm long.
Black internal ferule to one end and plastic hook to one end.

CATCH
Brass sash catch (Chrome to order).

SAFETY HAND RAIL
Mild steel electro plated tube - 21mm.
Fixed to ladder with two 6mm galvanised bolts.